

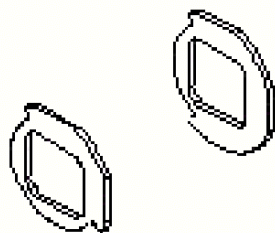
23038 (3/8")
23058 (5/8")
23078 (7/8")

FORT MULTI-FUNCTION CAM LOCK

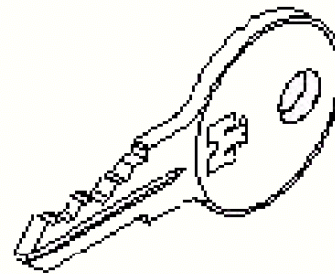
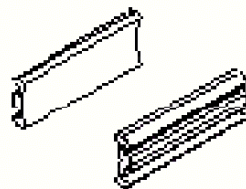
230118 (1 1/8")
230138 (1 3/8")
230168 (1 3/4")

With this one lock, you can easily make an assembly that will meet your particular requirements

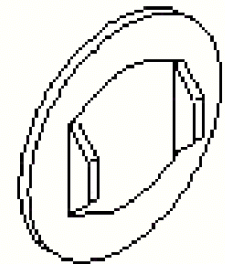
*CAM STOPS



SPLINE FILLERS

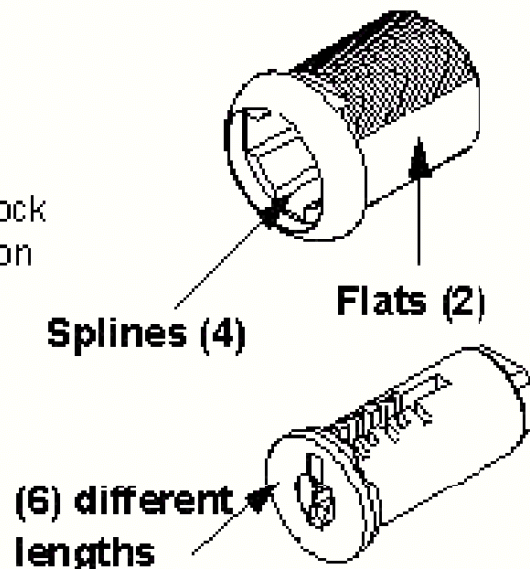
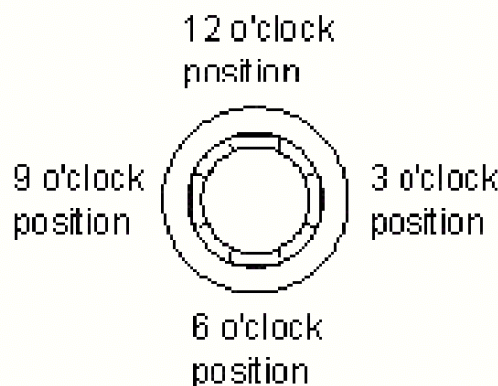


Furnish with (2) keys



ROUND HOLE INSTALLATION WITH WONDER WASHER IN WOOD OR METAL.

After drilling 3/4" hole in either wood or metal, position the Wonder Washer (tabs inward and vertical) firmly into hole from either the front or rear surface, depending on thickness of material and preference. The Wonder Washer provides the double "D" shape needed to prevent the lock from rotating when installed.



Select the function required and assemble the lock, as specified bellow

Function No.	Key Rotation from 12 o'clock position To:	Key Removable at:	Use Cam Stop	Insert Spline Filler at:
1	3 o'clock	12 only	90 deg. right	3 o'clock
2	3 o'clock	12 and 3	90 deg. right	None
3	6 o'clock (right)	12 only	180 deg. right	3 and 6
4	6 o'clock (right)	12 and 6	180 deg. right	3 o'clock
5	9 o'clock	12 only	90 deg. left	9 o'clock
6	9 o'clock	12 and 9	90 deg. left	None
7	0 o'clock (left)	12 only	180 deg. left	3 and 0
8	6 o'clock (left)	12 and 6	180 deg. left	9 o'clock