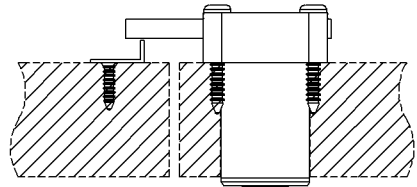
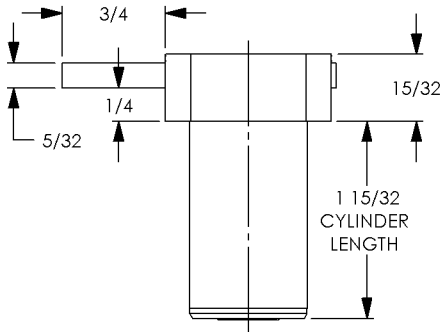


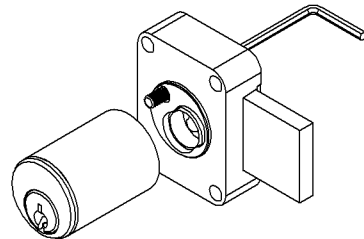
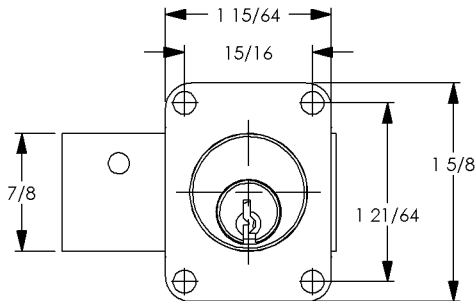
C8175 DOOR LOCK

- 4 PIN TUMBLER
- BRASS CYLINDER
- FOR RH OR LH DOORS

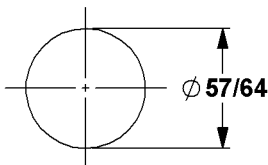


LOCK IS SHOWN IN LOCKED POSITION FOR RIGHT HAND DOOR APPLICATIONS.

LOCK IS REVERSIBLE FOR LEFT HAND DOOR APPLICATIONS.



CYLINDER MOUNTING HOLE



DRILL 1/16 INCH DIAMETER PILOT HOLES FOR MOUNTING SCREWS

USE A 5/64 ALLEN WRENCH FROM THE BACK TO REMOVE THE CYLINDER.

NOTE: LOCK MUST BE IN THE POSITION SHOWN.