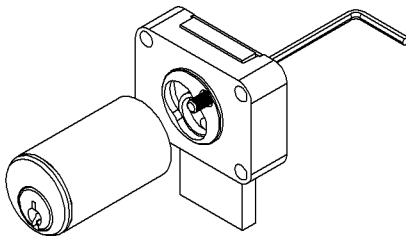
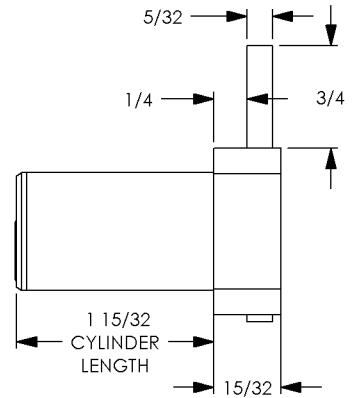
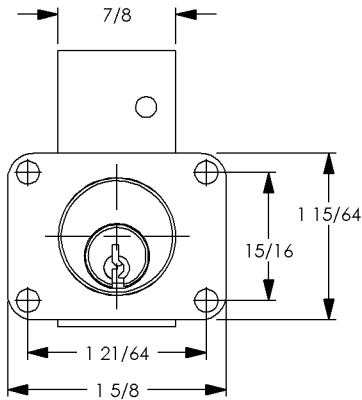
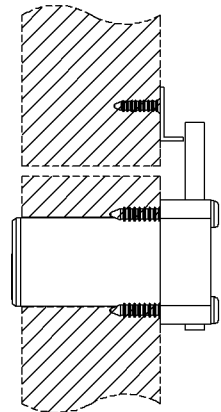


C8179 DRAWER LOCK - 4 PIN TUMBLER - BRASS CYLINDER

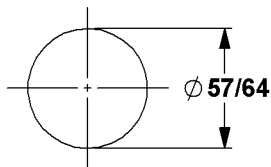


USE A 5/64 ALLEN WRENCH FROM THE BACK TO REMOVE THE CYLINDER.

NOTE: LOCK MUST BE IN THE POSITION SHOWN.



CYLINDER MOUNTING HOLE



DRILL 1/16 INCH DIAMETER PILOT HOLES FOR MOUNTING SCREWS

LOCK IS SHOWN IN LOCKED POSITION FOR STANDARD DRAWER APPLICATIONS.